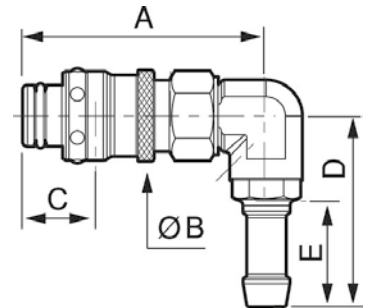


## COUPLINGS FOR COOLING CIRCUITS - PLUGS Ø 12 MM

Plug 90° for hose



| Min / Max operating pressure | Flow rate at | ID passage | Min. / Max temperature |
|------------------------------|--------------|------------|------------------------|
| 1 / 10 bar                   | 85 l/min     | 12 mm      | -15 / 90 °C            |

| Part number  | For hose ID | Dim. A (mm) | Dim. B (mm) | Dim. C (mm) | Dim. D (mm) | Dim. E (mm) |
|--------------|-------------|-------------|-------------|-------------|-------------|-------------|
| CPI 126813RE | 13 mm       | 74.5        | 28          | 22.4        | 60          | 33          |
| CPI 126816RE | 16 mm       | 74.5        | 28          | 22.4        | 60          | 33          |